











# Heavy Duty Straight Line Wipers

Ideal for large ocean-going vessels

-  **Type D MkV** - Externally mounted motor  
**Type C** - Internally mounted motor
-  Arms with blades up to 39 ins (1000mm) available
-  A large wiped window coverage can be achieved
-  Reliable operation in extreme temperatures
-  Motor housing fully sealed to IP67 standards (Type D MkV only)
-  2 speeds operation with self parking facility
-  Available in 24, 115 and 230 volt, single phase or three phase AC
-  Operated by a multi-speed / function control facility





# Type D MkV & Type C

## Heavy Duty Straight Line Wipers

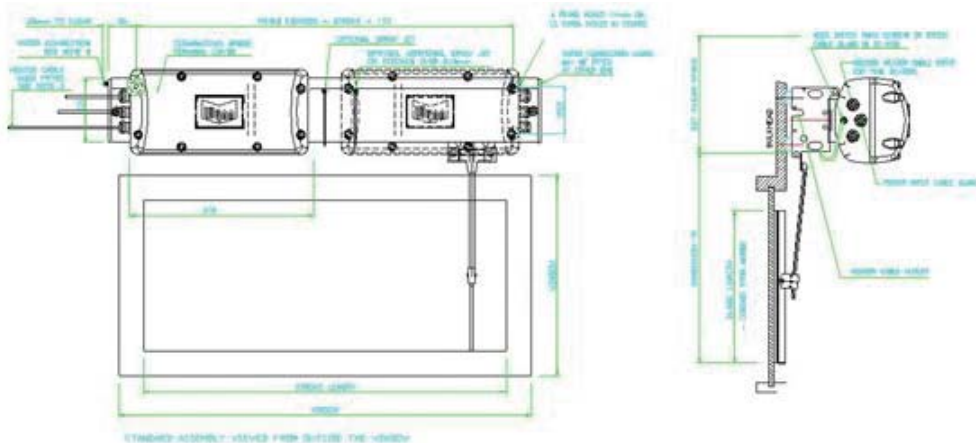
Ideal for large ocean-going vessels

The heavy duty Type D (externally mounted motor) and Type C (internally mounted motor) straight line wipers offers the most advanced design of linear action window wiping systems for marine and other specialist applications.

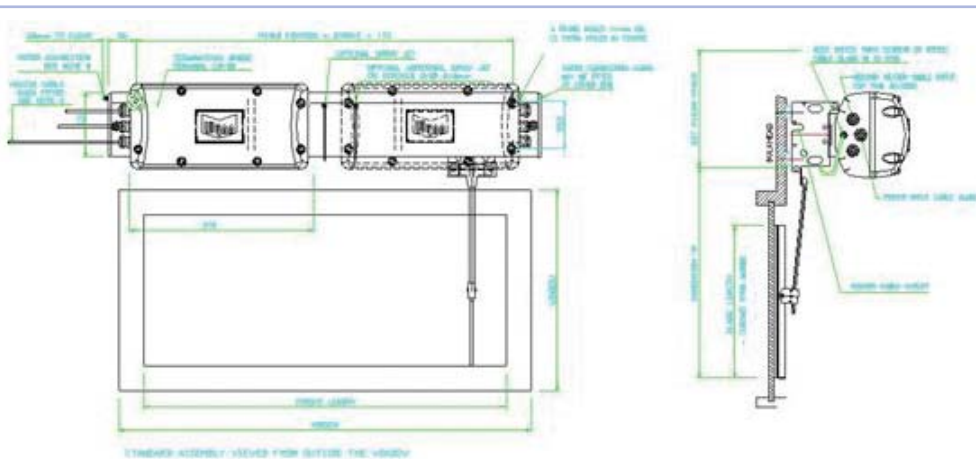
A large wiped window coverage can be achieved, providing maximum view from the ships bridge whatever the weather, in temperatures from as low as -30°C to extreme tropical conditions. High powered AC induction motors provide an efficient, reliable and quiet operation. Incorporating the highest quality 316 Stainless Steel and other non-corrosive materials throughout, the Type D has the motor outboard so that it is only necessary to bring the electrical cables through the bulkhead. The motor housing is fully sealed to IP67 standards.

Standard controllers are available in 1-7 ways, with customised systems being supplied where there are more wipers or have a special requirement. Control features can include 2 speed operation, self parking, intermittent wipe, heater switch, master group control and wash/air purge functions.

Type D MkV



Type C



### Specifications

#### ■ Single

Stroke . . . . .Minimum - 305mm, Maximum - 2260mm  
 Blade . . . . .Maximum - 1000mm  
 Arm . . . . .Maximum - 800mm

#### ■ Twin

Stroke . . . . .Minimum - 585mm, Maximum - 3500mm  
 (over 3500mm can be supplied upon request)  
 Blade . . . . .Maximum - 800mm  
 Arm . . . . .Maximum - 800mm

Wipe Speed: fast/slow . . 1.4m per second / 0.7m per second  
 AC Motor . . . . . Induction type: 100, 115, 230v  
 DC Motor . . . . . Permanent magnet; 24v  
 3-PH Motor . . . . . Fast speed / slow speed / intermittent  
 1-PH and DC . . . . . Normal speed / intermittent  
 De-icing heater . . . . . 200 watts per metre  
 Park Sensor . . . . . Inductive park sensor  
 Spray Nozzles . . . . . 1 up to 990mm stroke, 2 if > 1015mm stroke  
 6mm overall diameter tubing  
 Mounting . . . . . Above, below or vertical on the window  
 Type Approvals . . . . . DNV, ABS



**B. HEPWORTH**  
AND COMPANY LIMITED

2-4 Merse Road, North Moons Moat, Redditch, Worcestershire B98 9HL  
 T +44 (0) 1527 61243 F +44 (0) 1527 66836 E [bhepworth@b-hepworth.com](mailto:bhepworth@b-hepworth.com)

[www.b-hepworth.com](http://www.b-hepworth.com)